



KNIFE GATE VALVES

A LUG SERIES

SINGLE-ACTING PNEUMATIC CYLINDER

- The air supply pressure to the pneumatic cylinder is a minimum of 6 Kg/cm² and a maximum of 10 Kg/cm², the air must be dry and lubricated.
- 10 Kg/cm² is the maximum admissible air pressure. For air pressures below 6 Kg/cm², please check with the manufacturer.
- Available for opening or closing in case of air supply failure (spring opening or closing).
- The jacket is made of aluminium, the covers of nodular cast iron or carbon steel, the rod of AISI304, the piston of rubber-coated steel, the O-ring seals of nitrile and the spring is made of steel.
- The **actuator design is spring activated** for valves with diameters **up to DN300**. For larger diameters the actuator contains a double-acting cylinder and an air tank which stores the volume of air necessary to perform the last movement in the event of an air supply failure.
- **B = max. width** of the valve (without actuator).
D = max. height of the valve (without actuator).
- Available: DN50 to DN1200, other DN on request.
- Please see the "CMO Pneumatic Actuators" catalogue if you require further information.

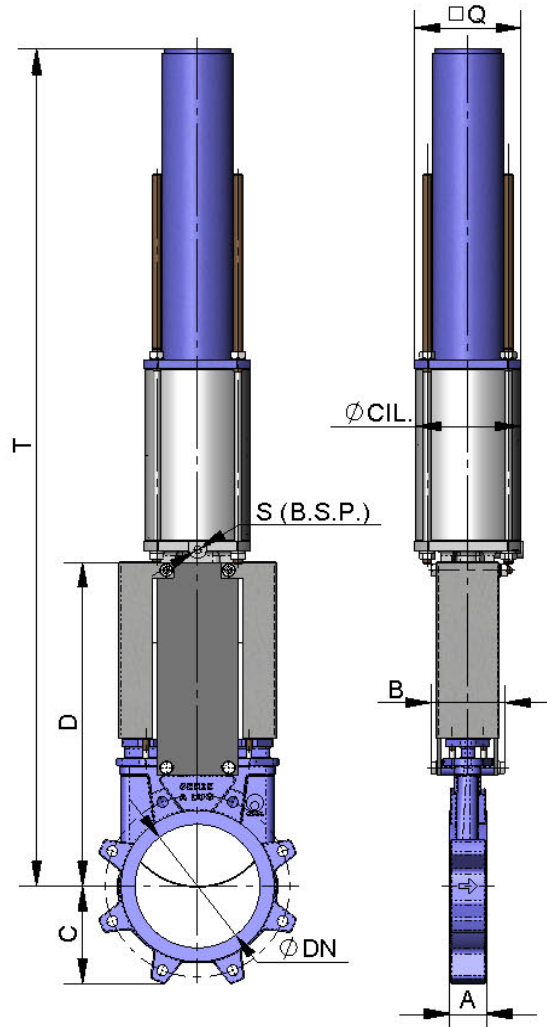


fig. 23

DN	ΔP (Kg/cm ²)	DRAW (Nw)	A	B	C	D	Q	T	Ø CYL.	S (B.S.P.)	Ø STEM
50	10	830	60	91	61	241	135	781	125	1/4"	25
65	10	1400	60	91	68	268	135	806	125	1/4"	25
80	10	2120	64	91	91	294	135	833	125	1/4"	25
100	10	3310	64	91	104	334	135	873	125	1/4"	25
125	10	5180	70	101	118	367	170	910	160	1/4"	30
150	10	5970	76	101	130	419	170	961	160	1/4"	30
200	8	9300	89	118	158	525	215	1357	200	3/8"	30
250	6	10400	114	118	196	616	270	1845	250	3/8"	40
300	6	15000	114	118	230	704	270	2005	250	3/8"	40

table 10